

Farmers who know, use



Series 20

The KBH "MULE BOY" Cotton Cart is one of the wisest investments in harvest aid equipment you have ever made. The "MULE BOY" will greatly increase your harvest efficiency under any conditions. With proper maintenance and service, the "MULE BOY" will give you many years of operation and will continue to make money for you. Please read and follow the Safety, Maintenance and Operating instructions carefully.

MACHINE IMPROVEMENTS

The manufacturer reserves the right to make changes and improvements in the products at any time without notice. They shall not be obligated to incorporate such changes and improvements in products previously sold to any customer, nor shall they be obligated to replace previously sold products with products incorporating such changes and improvements.

NOTES

INTERNATIONAL

AMERICAN COTTON

THE NEW ORGANIZATION

P.O. Box 410 - 155 Anderson Blvd.

Chicago, Illinois 60604

Telephone: (312) 346-2411

Telex: 251131

Fax: (312) 346-2411

OWNERS MANUAL
“MULE BOY” COTTON CART

THE KBH CORPORATION

P. O. Box 670 - 395 Anderson Blvd.

Clarksdale, Mississippi 38614

Telephone: (662) 624-5471

Watts: (800) 843-5241

Fax: (662) 624-6533

CONTENTS

Page 1	Safety Precautions
Page 2	General Operating Procedure
Page 3	General Maintenance
Page 4	Metering Motor & Top Conveyor Assembly
Page 5	Front View
Page 6	Rear View
Page 7	Conveyor Chain Assembly
Page 8	Top Conveyor Drive Shaft
Page 9	Tandem Floating Axle Assembly
Page 10	Front Hitch
Page 11	Specifications
Page 12	Warranty

NOTES

[Faint, illegible handwritten notes]

[Faint, illegible handwritten notes]

SAFETY PRECAUTIONS

1. Do not park vehicles or place objects within 15 feet of the rear of the Cotton Cart.
2. All personnel except operator should stand clear of Cotton Cart during preparation for and movement of Cotton Cart from one location to another.
3. Keep out of machine when in use.
4. Stand clear of metering chains when Cotton Cart is in operation.
5. Never attempt to service or adjust metering chains with tractor running.
6. Turn on flashing lights when transporting unit on highway unless prohibited by law.
7. Do not operate unit close to high voltage electric lines.



GENERAL OPERATING PROCEDURE

The "MULE BOY" Cotton Cart was tested at the factory to assure proper operation of the controls and all functional components.

To ready the "MULE BOY" for field use, the floating tandem axles should be inverted by following these instructions:

Using two hydraulic jacks, one on either side of tandem axle, raise the "MULE BOY" evenly until axle assembly can be removed. Invert the axle assembly, continue to raise the "MULE BOY" evenly until inverted axle can be reinstalled at the higher position.

The side of "MULE BOY" with the conveyor chains must be raised first. After axle assembly on this side has been secured with ring collar and bolt, move to receiving side of "MULE BOY" and repeat procedure.

THE "MULE BOY" COTTON CART IS NOW READY FOR OPERATION



CAUTION: If Cotton Cart is to be transported on roads or under overhead objects, basket must be lowered to transportation position. Turn on tractor flashing lights when transporting unit on highway unless prohibited by law.

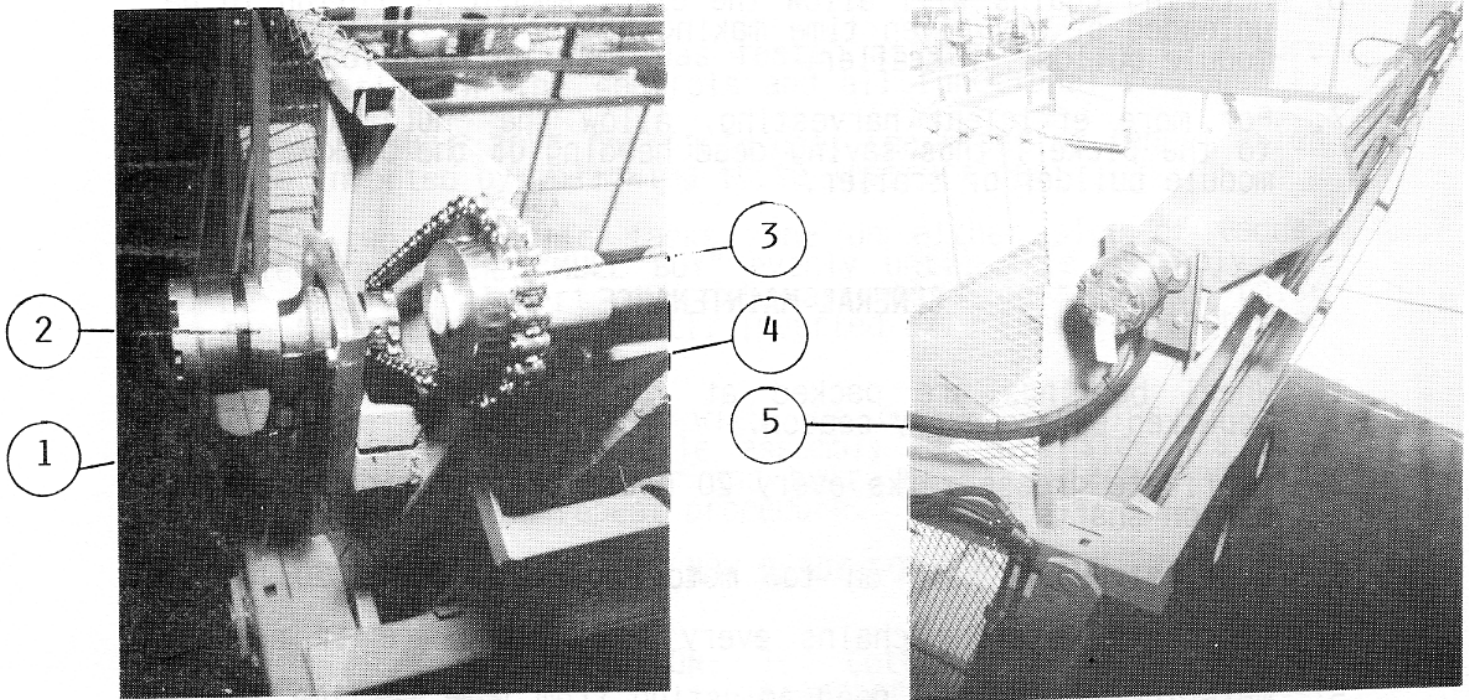
1. Select a tractor with 80 or more horsepower with dual remote valves.
2. Plug Hydraulic cylinder and Hydraulic motor hoses in separate remote valves.
3. With tractor running at fast idle, activate remote valve to raise basket to become familiar with unit and then activate Hydraulic motor valve for the metering chains.
4. Practice pulling along side of module builder or trailer to familiarize operator with the proper Module-Cotton Cart dumping distance.
5. Basket does not have to be completely raised to unload the "MULE BOY", this is especially good for topping off the module builder or trailer.

6. Metering chains will allow the exact amount of cotton to be unloaded at any given time making better for topping off the module builder or trailer.
7. For more efficient harvesting, allow the **"MULE BOY"** to go to the picker, thus saving dead heading of the picker to the module builder or trailer.

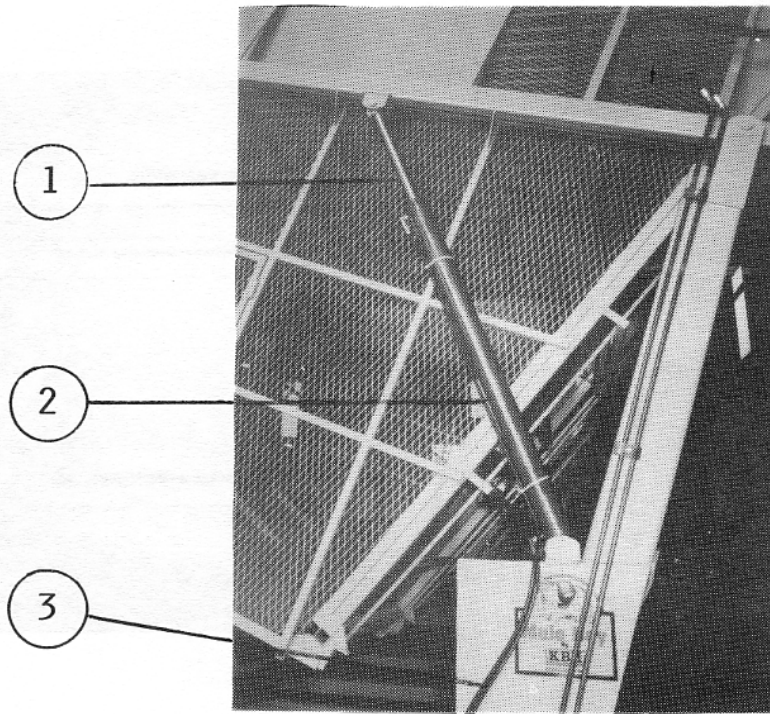
GENERAL MAINTENANCE

1. Wheel bearings are packed at the factory and should be repacked before every season.
2. Lubricate grease zerks every 20 hours of operation - top and bottom shafts.
3. Lubricate #60 chain on top motor to shaft every 20 hours.
4. Lubricate metering chains every season or more if needed.
5. Metering chains may need adjusting from time to time. This is simply done with 2 adjustable bolts on the bottom shaft.





REF	PART NUMBER	QTY	DESCRIPTION
	BB118	1	Weld-on Motor Mount
1	BB128	1	Motor Mounting Plate
2	117080	1	Hydraulic Motor
	132025	1	14T Motor Sprocket (Driver)
3	132029	1	24T Top Shaft Sprocket (Driven)
4	BBP0361	1	#60 Chain
5	114018	2	1/2 x 65' Hose
	BB119F	1	Front Chain Guard
	BB119R	1	Rear Chain Guard

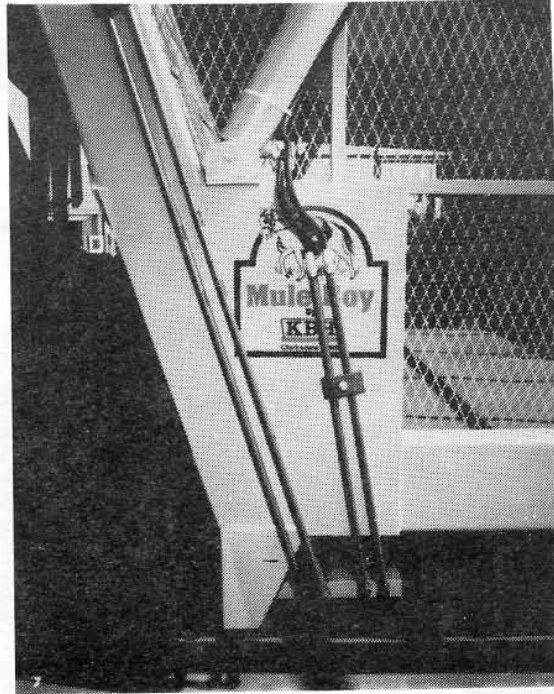


CONVEYOR CHAIN ASSEMBLY

REF PART NUMBER QTY DESCRIPTION

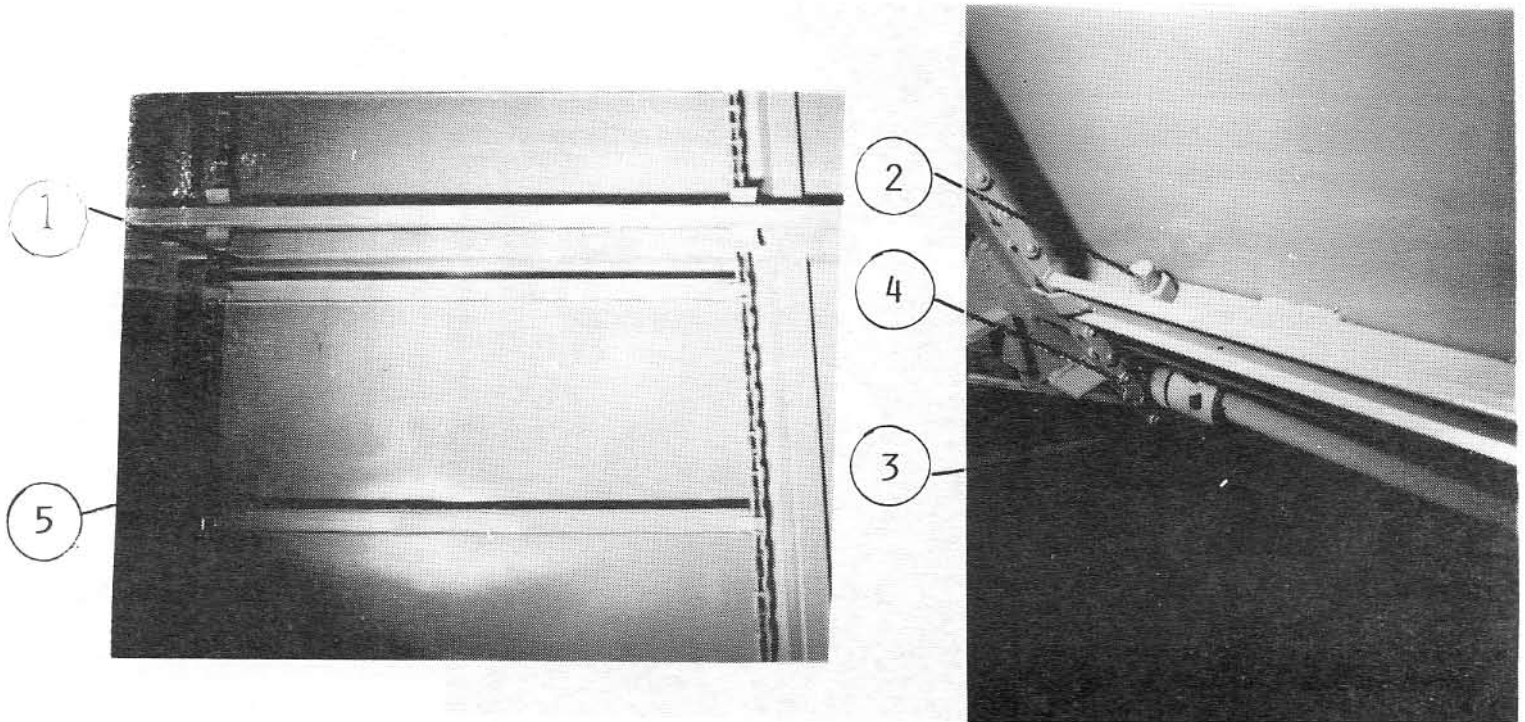
FRONT VIEW

REF	PART NUMBER	QTY	DESCRIPTION
1	116041	2	4 X 60 Hydraulic Cylinder (2 1/2 Rod)
2	114016	1	3/8 x 81 Hose (Front)
3	114019	1	3/8 x 111 Hose (Front)
5	111066	16	3/8 x 3/8 x 1 3/8 Square Key
	111053		Chain
	104006		Offset Link
	104008		Connecting Link



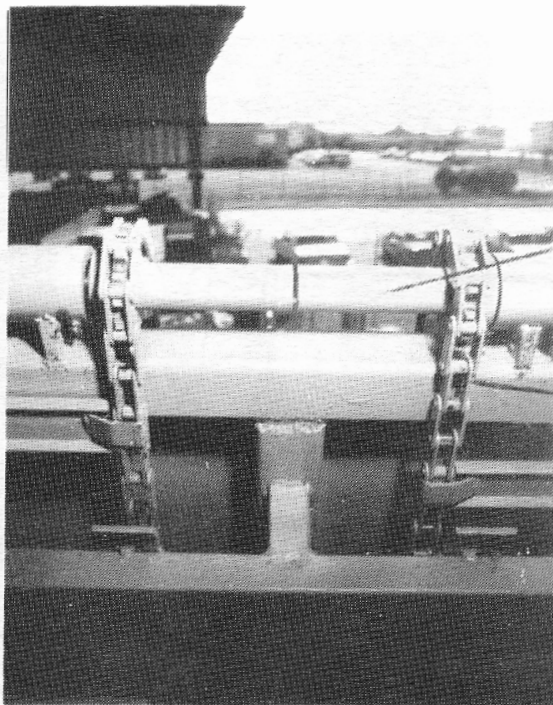
REAR VIEW

REF	PART NUMBER	QTY	DESCRIPTION
	114015		3/8 x 20 Hose
	114020		3/8 x 51 Hose



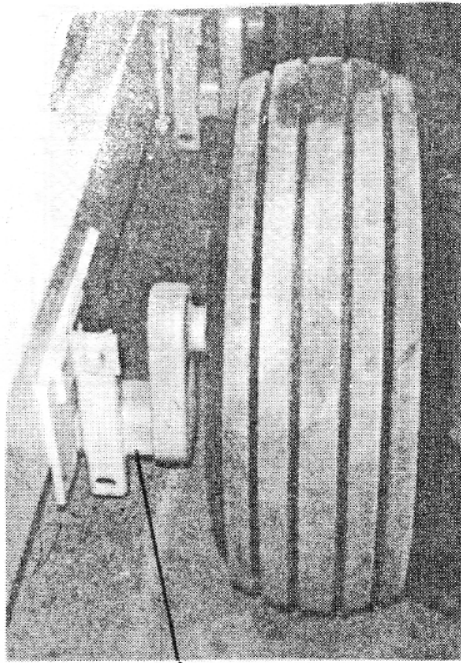
CONVEYOR CHAIN ASSEMBLY

REF	PART NUMBER	QTY	DESCRIPTION
1	BB11148	4	Chain Assembly Complete
	BBSA013		Chain Slat
2	BB107	8	Chain Adjusting Bolt
	101121	16	1" Nuts
3	BB105	4	Bottom Idler Shaft
4	132003	16	15T Sprocket
	150003	13	Alemite (drive in)
5	111006	16	3/8 x 3/8 x 1 3/8 Square Key
	BBSA014		Chain
	104005		Offset Link
	104006		Connecting Link

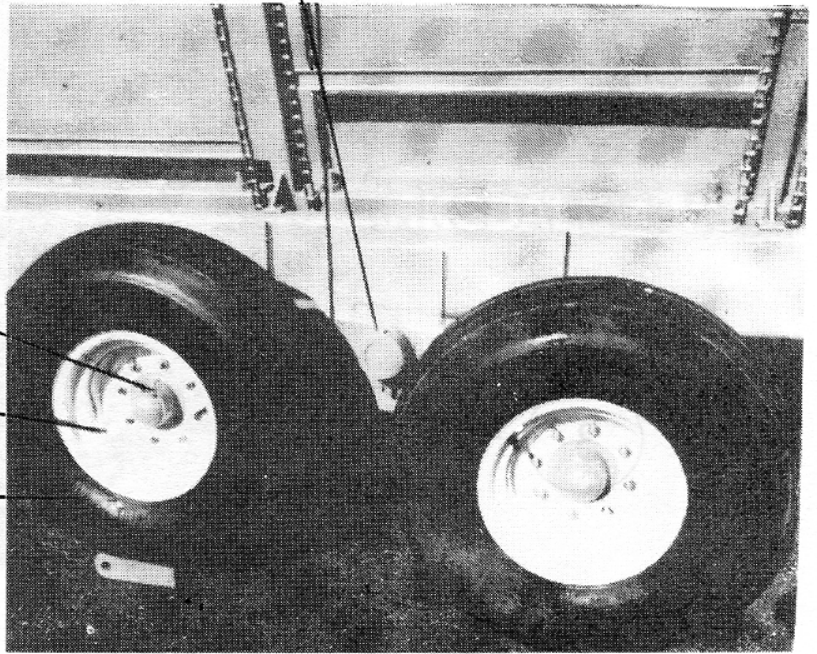


TOP CONVEYOR DRIVE SHAFT

REF	PART NUMBER	QTY	DESCRIPTION
1	BB104	2	Top Shaft
2	132003	16	15T Sprocket
	BB143	8	1" Shaft Bearing Block
	BB154	2	3/4" Shaft Bearing Block

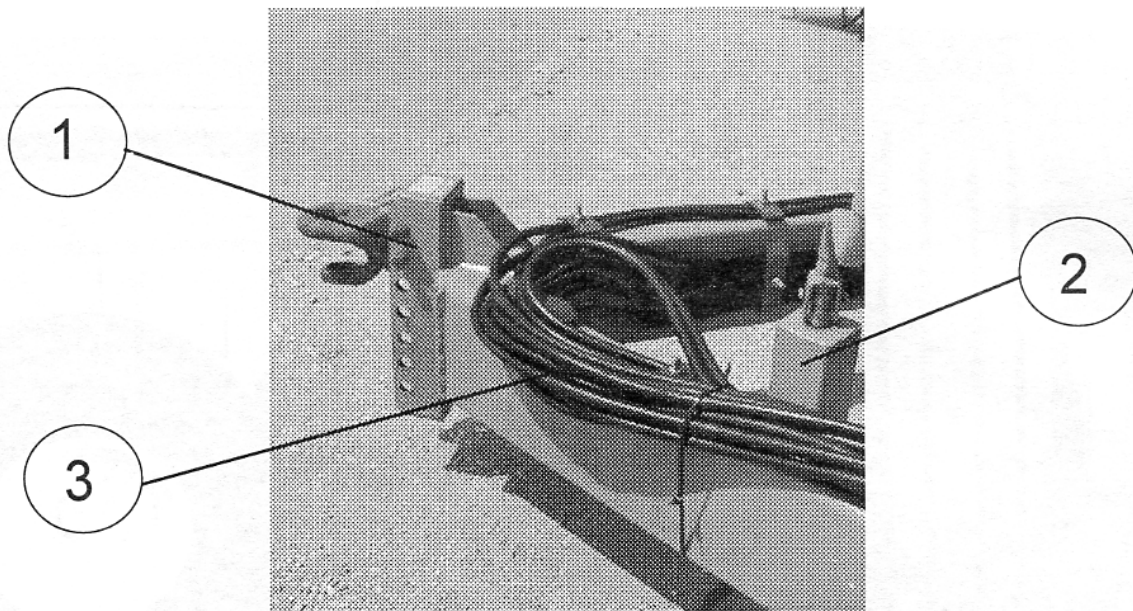


1



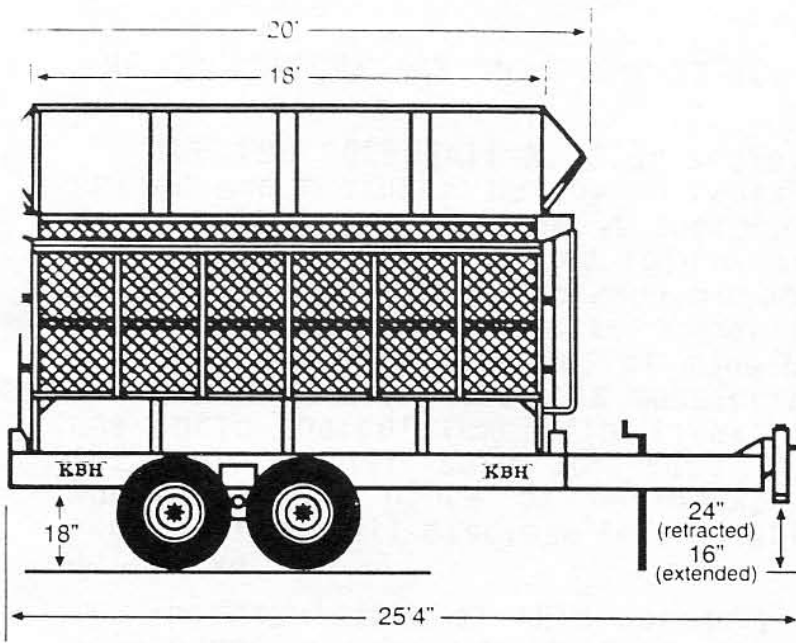
TANDEM FLOATING AXLE ASSEMBLY

REF	PART NUMBER	QTY	DESCRIPTION
1	121062	2	Henschen Axle (less hubs)
2	BB101	2	Tandem Axle (less hubs)
	BB120	1	Ridged Main Axle
	BBP0117	2	3" Stub Shaft x 14"
	BB102	2	Tandem Axle Collar
	124001		UHMW Axle Sleeve
3	115001	4	50-8 Hub (w/cups & studs)
	100002	4	JLM104948 Bearing (inner)
	100001	4	LM501349 Bearing (outer)
	115014	4	CR24904 Seal
	115015	4	Dust Cap
	115009	32	5/8 x 2 1/4 Lug Stud
	115008	32	5/8 Lug Nut
	131013	4	1" Spindle Nut
	131011	4	Spindle Washer
	131012	4	3/16 Cotter Pin
4	145003	4	15 x 8-8 Hole Rim (standard)
5	138005	4	11-15FY Tire (standard)
	145009	4	16.5L x 16.1 Rim (optional)
	138016	4	16.5L x 16.1 Tire (optional)

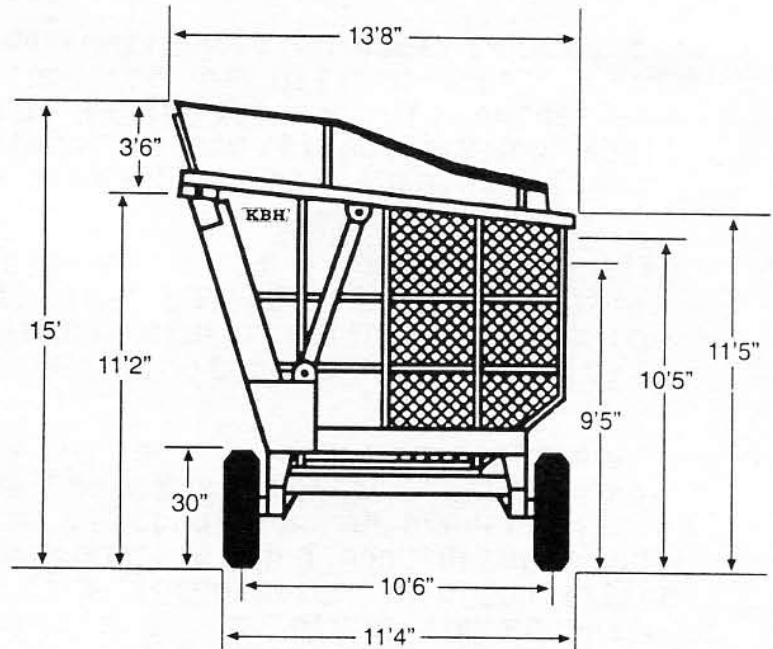


FRONT HITCH (2 5/16 BALL REQUIRED)

REF	PART NUMBER	QTY	DESCRIPTION
1	121125	1	Pintle Hitch
2	119007	1	Ground Jack
3	114021	6	1/2 x 132 Hose



Dimensions



*All heights are shown in field position - subtract 8" after pivoting axles to transport position.

*Add 4 1/2" to all heights when equipped with 16.5 x 16.1 tire option.

THE KBH CORPORATION "MULE BOY" COTTON CART MANUFACTURER'S WARRANTY

THE KBH CORPORATION, Clarksdale, Mississippi, (hereinafter called manufacturer) hereby warrants each new "Mule Boy" Cotton Cart including all equipment thereon, manufactured or supplied by THE KBH CORPORATION and sold by said company to be free from defects in material and workmanship under normal use and service, and manufacturer's obligation under this warranty being limited to repairing or replacing, at manufacturer's option, without charge for installation, at manufacturer's place of business, any parts thereof (excluding tires) which shall within twelve (12) months after sale for such "Mule Boy" Cotton Cart by manufacturer's place of business, and which manufacturer's examination shall disclose to its satisfaction to have been thus defective.

The provisions of this warranty shall not apply to normal maintenance services or to paint, unless painting imperfection is immediately called to the attention of manufacturer so that any necessary correction may be made. Damage to paint due to usage is not covered by this warranty.

This provisions of this warranty shall not apply to any cart which shall have been repaired or altered outside of manufacturer, in any way so as in the judgment of manufacturer to affect adversely its performance and reliability; nor shall it apply to any cart which has been subject to misuse, negligence or accident.

This warranty is expressly in lieu of all other warranties, expressed or implied, and all other obligations or liabilities on manufacturer's part, and manufacturer neither assumes nor authorizes any person to assume for it any other liability in connection with such cart.

This warranty is expressly limited to repair or replacement by manufacturer of each new "Mule Boy" Cotton Cart sold by manufacturer, under the terms and conditions hereunder, arising out of defective parts or workmanship, and manufacturer shall not be liable to any person, firm, corporation or organization for loss of use, loss of profits, or any other consequential damages, as defined in section 2-715 of the Uniform Commercial Code, that may be occasioned by or arising out of defective part or parts, or faulty workmanship of each new "Mule Boy" Cotton Cart sold by manufacturer.

The manufacturer reserves the right to make changes in design or add any improvements on its "Mule Boy" Cotton Cart at any time without incurring any obligation to install same on such cart previously purchased.