

# The KBH *Mule Boy* Cotton Cart

The original conveyor-metering unload cotton cart!



- ▶ Dual Motor Split Basket Unload now **STANDARD!**
- ▶ Shown with the **OPTIONAL** Hydraulic Vane Packer
- ▶ Shown with **OPTIONAL** 16.5 X 16.1 Flotation Tires
- ▶ Available with Pintle or Clevis Hitch.

**(800) 843-5241**

[www.kbhequipment.com](http://www.kbhequipment.com)

*The*  
**KBH**  
CLARKSDALE ★ MS  
*Corporation*



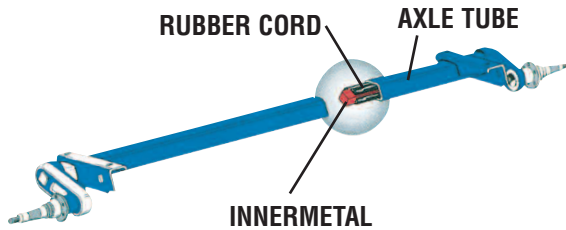
▲ **Split Basket Unload (Standard)**

Dual motors operate independently for precision placement when topping off modules.



▲ **Hydraulic Fold-Out Receiving Wall (Optional)**

Accommodates 8-row strippers or up to 20' broadcast headers.



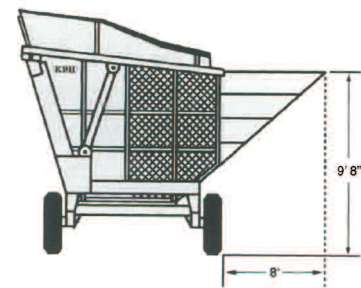
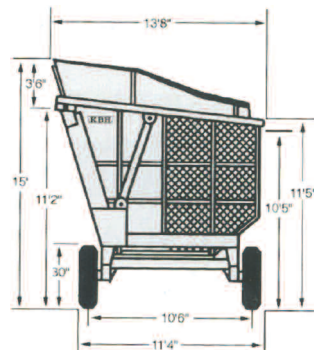
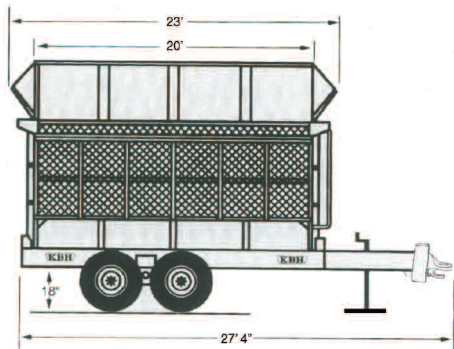
▲ **Tandem Henschen Axles (Standard)**

Proven strength and durability.



▲ **Cotton Vacuum (Optional)**

19" Fan Housing with 20' (8") flexible hose



- ▲ All heights are shown in field position. Subtract 8" after pivoting axles to transport position.
- Add 8" to all heights when equipped with special stripper model axles and mounting brackets.
- Add 4" to all heights when equipped with 16.5 X 16.1 tire option.



***From the name you've trusted  
for over 50 years***